



Level Sensors Reed Contact Chain



measuring
•
monitoring
•
analysing



- Measuring length:
max. 6000 mm
- Measuring accuracy:
0.5 % for L = 2000 mm
- Pressure: max. 20 bar
- Temperature: max. 130 °C
- Connection: G 3/8 to G 2
flange: DN 50 to DN 100
- Material: stainless steel,
PVC, PP-H, PTFE, PE
- Constant level indication
regardless of conductivity,
pressure and temperature
- Transmitter
- Infinitely adjustable
limit value contacts

N2



KOBOLD companies worldwide:

ARGENTINA, AUSTRIA, BELGIUM, CANADA, CHILE, CHINA, COLOMBIA,
CZECHIA, FRANCE, GERMANY, GREAT BRITAIN, INDIA, IRAN, INDONESIA,
ITALY, MALAYSIA, MEXICO, NETHERLANDS, PERU, POLAND, SINGAPORE,
SLOVAKIA, SPAIN, SWITZERLAND, THAILAND, USA, VENEZUELA, VIETNAM

KOBOLD Messring GmbH
Nordring 22-24
D-65719 Hofheim/Ts.
☎ +49(0)6192 299-0
Fax +49(0)6192 23398
E-Mail: info.de@kobold.com
Internet: www.kobold.com

Model:
NM-

Description

Kobold level sensors are used for continuous level indication and monitoring of all types of liquids. Their simple design with only one moving part, the float, means that they are particularly reliable.

A range of sensors in different materials and designs, and with different connections, are available for measured-value acquisition.

The analogue controllers have an electrical output signal that is switchable from 0 - 20 to 4 - 20 mA, finely adjustable relay contacts for level monitoring or integrated indicating devices for level indication.

Kobold level sensors enable the continuous display and monitoring of liquids without being influenced by conductivity, temperature, pressure or viscosity.

Function Principle

Similar to the Kobold level float switch, the sensor comprises a measuring tube on which a float, fitted with a magnet, switches the reed contacts mounted in the tube in a non-contacting fashion.

As a modification to the known techniques for level float switches, the measuring tube in the level sensors is equipped with a chain of resistors and a reed contacts.

The float activates the sealed contacts through the wall of the measuring tube in a non-contacting manner, whereby a measuring-circuit voltage proportional to the level is picked off at the resistance measuring chain. This sensing technique is similar to the operation of a sliding contact on a resistance potentiometer.

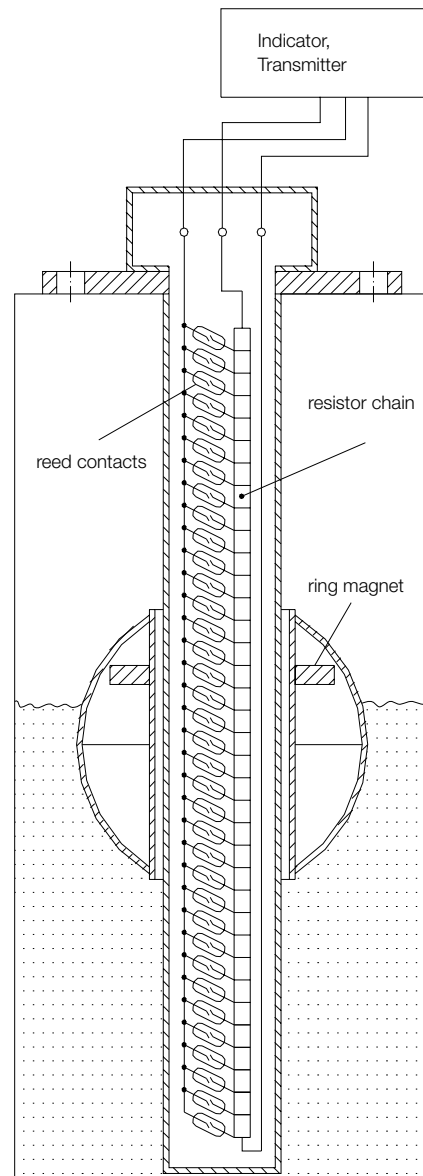
The voltage sampled from the chain of resistors is transferred to a transmitter which outputs a current signal proportional to the liquid level or, depending on the design, also allows limit values to be monitored.

The transmitter can be mounted in the terminal box or as an external instrument. Local analogue or digital indication can also be provided. To satisfy the requirements for greater measuring and monitoring accuracies, the resistance measuring chain can be supplied in 10 mm (15 mm) increments for lengths up to 2 m, and in 20 mm increments for greater lengths.

Applications

- Waste water and clarification plants
- Feed and batching tanks
- Chemical tanks
- Drinking water tanks
- Rivers, canals, reservoirs

Design of sensor



Technical Details

Length of measuring tube: min. 300 mm
 max. 6000 mm
 Screwed fitting: NM-298...: G 3/8
 NM-302...: G 1 1/2 or
 flange DN 50...DN 100 PN 10

Material

Measuring tube and
 screwed fitting: stainless steel 1.4571
 Float: stainless steel 1.4571, Ø 44 mm
 Min. density: 0.76 kg/dm³
 Nominal pressure: max. 15 bar or
 depending on flange design
 Medium temperature: -20 to +130 °C
 (silicone cable)
 -20 to +60 °C
 (PVC-cable)

Total resistance of
 measuring chain: approx. 5000 Ω
 Measuring-circuit voltage: max. 24 V_{DC}

Resolution

NM-298: 15 mm
 NM-302: 10 mm (ML ≤ 2000 mm)
 20 mm (ML > 2000 mm)

Electrical connection: PVC or silicone cable 3-core,
 length 1 m or special lengths
 or polyamide connecting box

Protection: IP55
 (cable connection)
 IP65
 (connecting box)

Connecting box with 2-wire transmitter type: -M

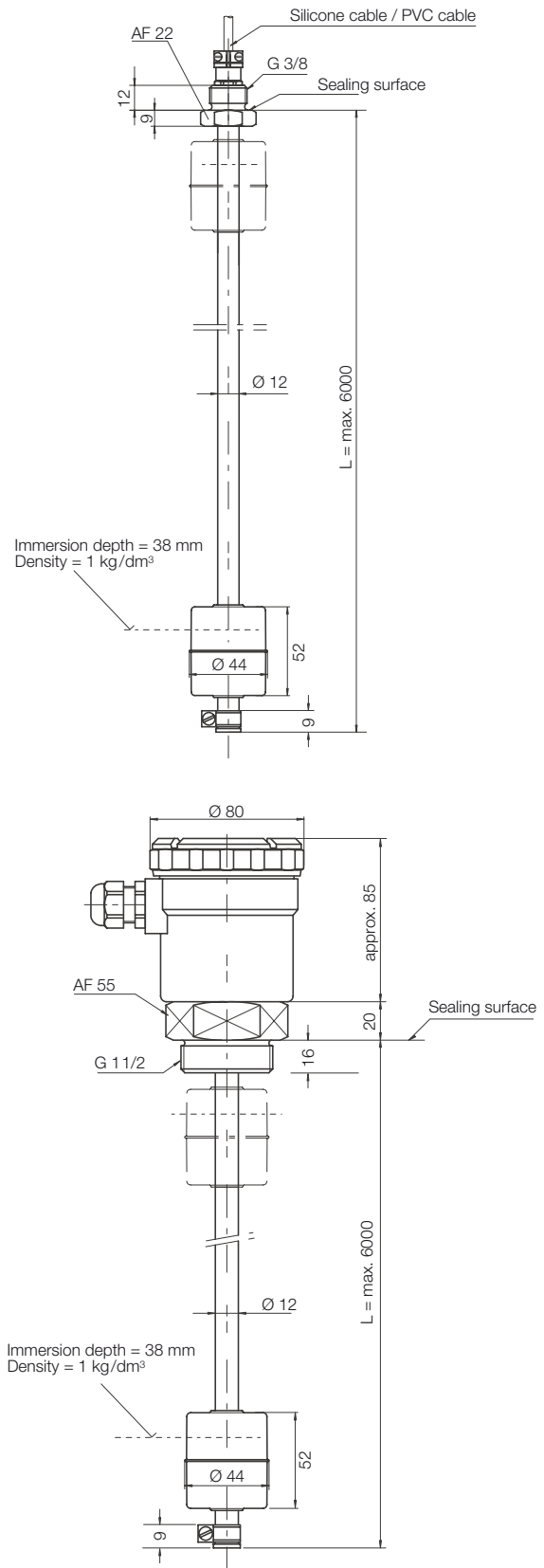
Output: 4 - 20 mA
 Supply voltage: 16 - 32 V_{DC}
 Load: (U_B - 9 V) / 0.02 A [Ω]
 Ambient temperature: max. 70 °C

Order Details (Example: NM-298 R10 C)

Mechanical connection	Model	Electrical connection	Resistance
G 3/8	NM-298 R10	C = PVC-cable S = Silicone cable Y = special connection	0 = 5 kΩ
G 1 1/2	NM-302 R40	R = connecting box M = with transmitter Y = special connection	
Flange DN 50 PN 10	NM-302 F50		
Flange DN 65 PN 10	NM-302 F65		
Flange DN 80 PN 10	NM-302 F80		
Flange DN 100 PN 10	NM-302 F1H		

Please specify measuring length »L« and cable length in writing.

Dimensions



N2

Technical Details

Length of measuring tube: min. 300 mm
max. 6000 mm

Screwed fitting: NM-299...: G 1/2
NM-301...: G 1 1/2 or
flange DN 100 PN 10

Material

Measuring tube and
screwed fitting: stainless steel 1.4571

Float: stainless steel 1.4571, Ø 94 mm

Min. density: 0.67 kg/dm³

Nominal pressure: max. 20 bar or
depending on flange design

Medium temperature: -20 to +130 °C
(silicone cable)
-20 to +60 °C
(PVC-cable)

Total resistance of
measuring chain: approx. 5000 Ω

Measuring-circuit voltage: max. 24 V_{DC}

Resolution

NM-299: 15 mm

NM-301: 10 mm (ML ≤ 2000 mm)
20 mm (ML > 2000 mm)

Electrical connection: PVC or silicone cable 3-core,
length 1 m or special lengths
or polyamide connecting box

Protection: IP55
(cable connection)
IP65
(connecting box)

Connecting box with 2-wire transmitter type: -M

Output: 4 - 20 mA

Supply voltage: 16 - 32 V_{DC}

Load: (U_B - 9 V) / 0.02 A (Ω)

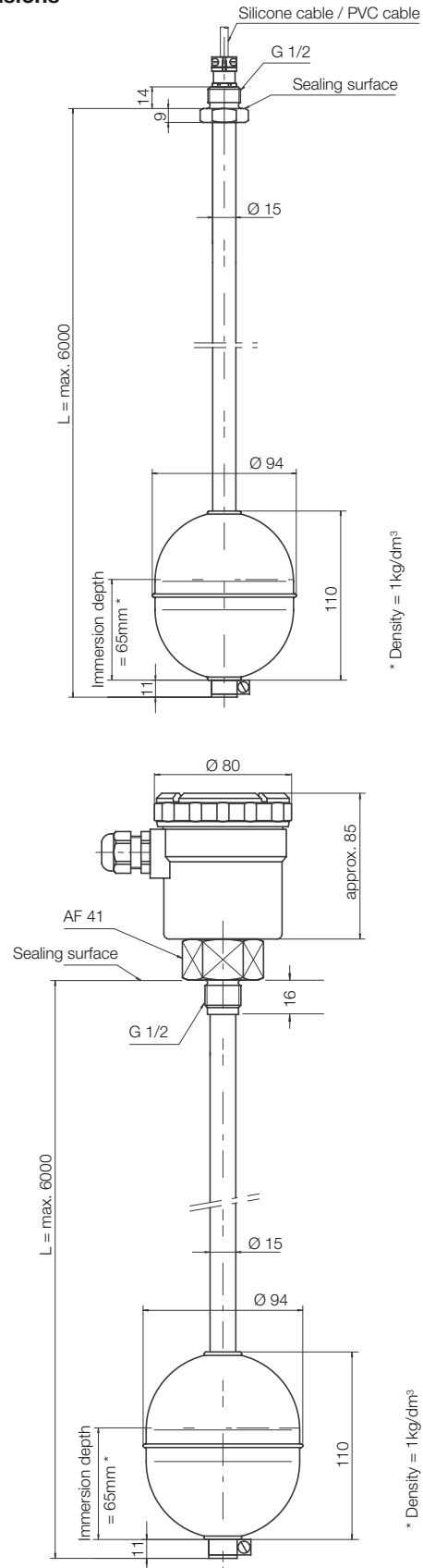
Ambient temperature: max. 70 °C

Order Details (Example: NM-299 R15 C)

Mechanical connection	Model	Electrical connection	Resistance
G 1/2	NM-299 R15	C = PVC-cable S = silicone cable Y = special connection	0 = 5 kΩ
G 1/2	NM-301 R15	R = connecting box M = with transmitter	
Flansch DN100 PN 10	NM-301 F1H	Y = special connection	

Please specify measuring length »L« and cable length in writing.

Dimensions



Technical Details

Length of measuring tube: min. 300 mm
max. 6000 mm

Screwed fitting: G 2 or
flange DN 65 PN 10

Material

Measuring tube and
screwed fitting: NM-310...: PVC
NM-320...: PP-H

Float: NM-310...: PE, Ø 52 mm
NM-320...: PP-H, Ø 52 mm

Min. density: 0.72 kg/dm³

Nominal pressure: max. 6 bar

Medium temperature: NM-310...: -20 to 60°C
NM-320...: -20 to 90°C

Total resistance of
measuring chain: approx. 5000 Ω

Measuring-circuit voltage: max. 24 V_{DC}

Resolution: 10 mm
(ML ≤ 2000 mm)
20 mm
(ML > 2000 mm)

Electrical connection: Polyamide connecting box

Protection: IP65

Connecting box with 2-wire transmitter type: -M

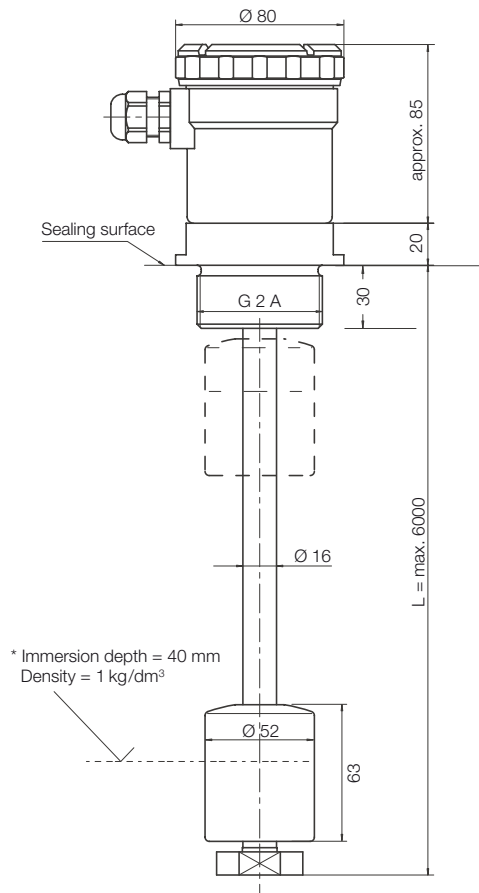
Output: 4 - 20 mA

Supply voltage: 16 - 32 V_{DC}

Load: (U_B - 9 V) / 0.02 A (Ω)

Ambient temperature: max. 70°C

Dimensions



Order Details (Example: NM-310 R50 R)

Mechanical connection	Model	Electrical connection	Resistance
G 2 / PVC	NM-310 R50	R = connecting box M = with transmitter Y = special connection	0 = 5 kΩ
G 2 / PP-H	NM-320 R50		
Flange DN 65 / PVC	NM-310 F65		
Flange DN 65 / PP-H	NM-320 F65		

Please specify measuring length »L« and cable length in writing.

Technical Details

Length of measuring tube: min. 300 mm
max. 6000 mm

Screwed fitting: G 1 or
flange DN 80 PN 10

Material

Measuring tube and
screwed fitting: NM-318...: PVC
NM-328...: PP-H
NM-338...: measuring tube:
PTFE coated st.st. pipe
screwing fitting: PTFE

Float: NM-318...: PE, Ø 78 mm
NM-328...: PP-H, Ø 78 mm
NM-338...: PTFE, Ø 80 mm

Min. density: PE: 0.6 kg/dm³
PP: 0.59 kg/dm³
PTFE: 0.79 kg/dm³

Nominal pressure: max. 6 bar ,
3 bar with PTFE float

Medium temperature: NM-318...: -20 to +60 °C
NM-328...: -20 to +90 °C
NM-338...: -20 to +120 °C

Total resistance of
measuring chain: approx. 5000 Ω

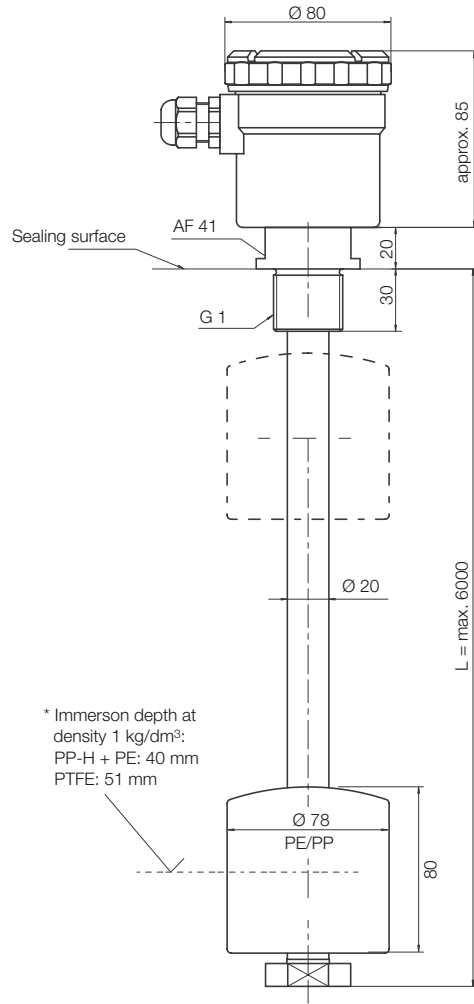
Measuring-circuit
voltage: max. 24 V_{DC}

Resolution: 10 mm
(ML ≤ 2000 mm)
20 mm
(ML > 2000 mm)

Electrical connection: PVC or silicone cable 3-core
or Polyamide connecting box

Protection: IP55
(cable connection)
IP65
(connecting box)

Dimensions



Connecting box with 2-wire transmitter type: -M

Output: 4 - 20 mA

Supply voltage: 16 - 32 V_{DC}

Load: (U_B - 9 V) / 0.02 A (Ω)

Ambient temperature: max. 70 °C

Order Details (Example: **NM-318 R50 R**)

Mech. connection / Material	Model	Electrical connection	Resistance
G 1 / PVC	NM-318 R25	R = connecting box M = with transmitter Y = special connection	0 = 5 kΩ
Flange DN 80 PN 10/PVC	NM-318 F80		
G 1 / PP-H	NM-328 R25		
Flange DN 80 PN 10/PP-H	NM-328 F80		
G 1 / PTFE	NM-338 R25		
Flange DN 80 PN 10/PTFE	NM-338 F80		

Please specify measuring length »L« and cable length in writing.

